

DRAWING NUMBER  
901-212-001.01

8

7

6

5

4

3

2

1

CONFIDENTIAL NOTICE

THIS DOCUMENT, THE DESIGNS, SPECIFICATIONS, AND ENGINEERING DATA CONTAINED HEREIN, AND ANY ASSOCIATED ELECTRONIC DATA ARE THE PROPERTY OF CODONICS, INC., AND ARE LOANED IN CONFIDENCE. IN CONSIDERATION FOR THE LOAN OF THIS INFORMATION AND THE OPPORTUNITY TO REVIEW ITS CONTENTS, THE RECIPIENT AGREES TO KEEP IT IN CONFIDENCE AND NOT TO USE NOR PERMIT ITS USE IN ANY WAY DETRIMENTAL TO CODONICS, INC. ANY USE, DISCLOSURE, OR REPRODUCTION, IN WHOLE, OR IN PART, IS HEREBY PROHIBITED WITHOUT THE EXPRESS WRITTEN CONSENT OF CODONICS, INC.

REVISIONS

ECR#	OR DATE	REV	SHEET	ZONE	DESCRIPTION	DWN BY	CHKD BY
	03/19/09	01			CREATED DRAWING	ALD	

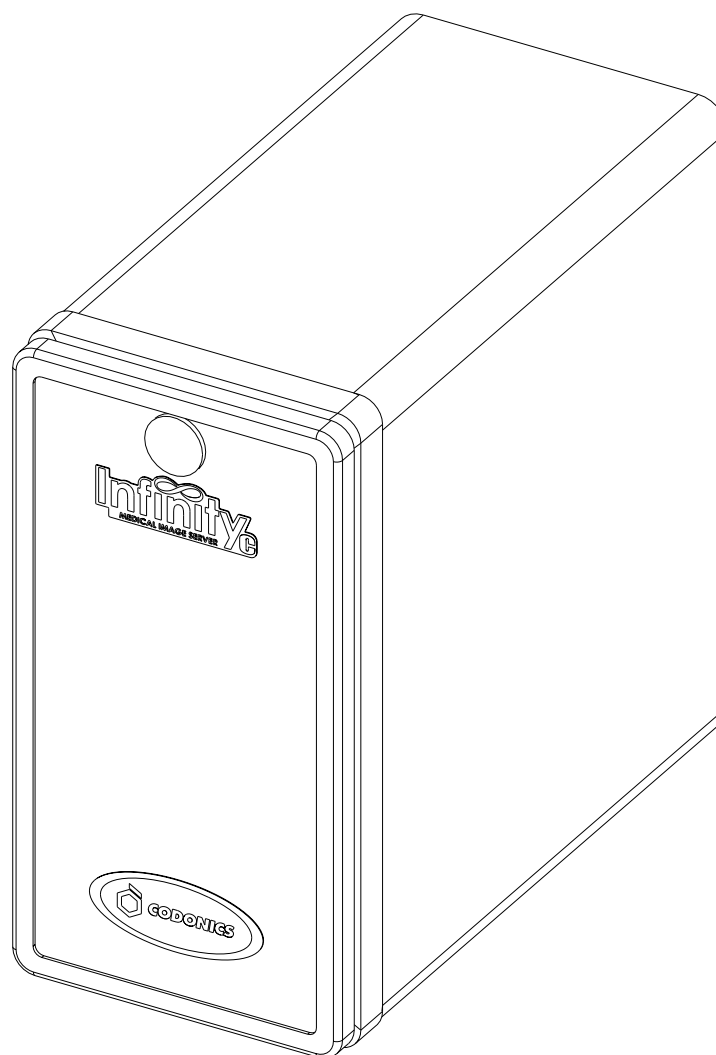
# INDICATES SPECIFIC NOTE    (I) INDICATES ITEM NUMBER

NOTES; UNLESS OTHERWISE SPECIFIED:

THE INFINITY C INTEGRATION DRAWING CAN BE USED WHEN INTEGRATING THE INFINITY C MEDICAL IMAGE SERVER INTO AN ENVIRONMENT. THIS DOCUMENT CONTAINS THE INFORMATION FOR GEOMETRY BASED MECHANICAL INTERFACES. ALL OTHER INTERFACES, ELECTRICAL, SOFTWARE, THERMAL AND VIBRATION MUST BE CONSIDERED PRIOR TO INTEGRATION OF THE MEDICAL IMAGE SERVER INTO ANY ENVIRONMENT. THIS DOCUMENT IS TO BE USED IN CONJUNCTION WITH 900-441-XXX. PRIOR TO INSTALLATION, CONTACT CODONICS FOR ANY ADDITIONAL INTERFACES WHICH MAY NOT BE COVERED IN THESE DOCUMENTS.

DIMENSIONS ARE NOMINAL UNLESS OTHERWISE SPECIFIED  
DIMENSIONS IN BRACKETS ARE MM.

NOTES FORMAT REVISION DATE 4/1/04



C

↕

B

A

D

C

↕

B

A

8

7

6

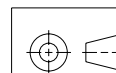
5

4

3

2

1



17991 ENGLEWOOD DRIVE  
MIDDLEBURG HEIGHTS, OH 44130 USA  
PHONE: 1-440-243-1198  
FAX: 1-440-243-1334  
E-MAIL: MFGHELP@CODONICS.COM



DESCRIPTION

LIT, TECH BRIEF, INTEGRATION SPECIFICATIONS, INFINITY C

DRAWN BY:	DATE:	DRAWING NUMBER	REV
ALD	03/19/09	901-212-001	01

CHECKED BY:	DATE:	FORMAT SIZE	D	SCALE:	NTS	SHEET	1 OF 2
-------------	-------	-------------	---	--------	-----	-------	--------

DRAWING NUMBER  
901-212-001.01

8 | 7 | 6 | 5 | 4 | 3 | 2 | 1

D

D

C

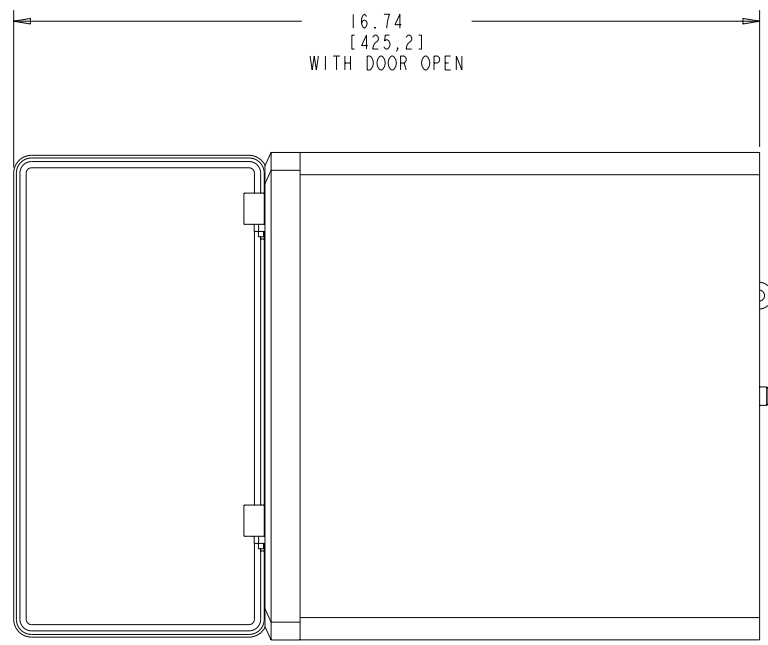
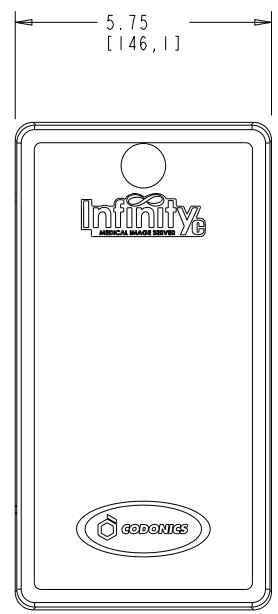
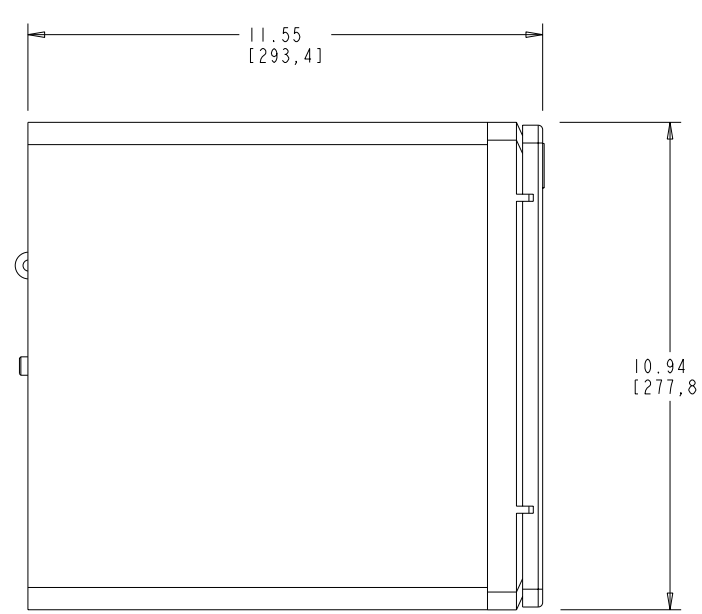
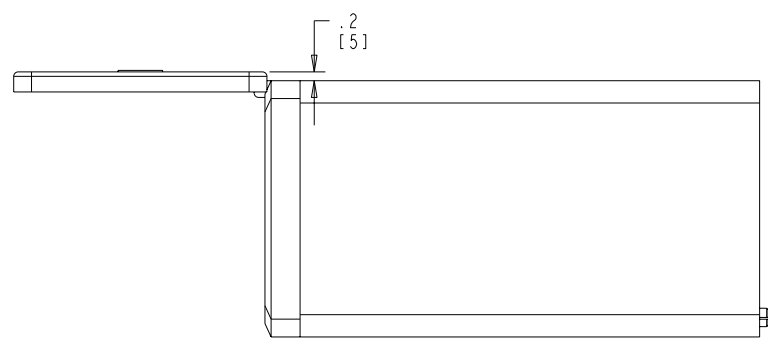
C

B

B

A

A



4.0  
[102]  
RECOMMENDED OPERATING  
DISTANCE FROM WALL  
FOR VENTILATION

4.0  
[102]  
RECOMMENDED OPERATING  
DISTANCE FROM WALL  
FOR VENTILATION

4.0  
[102]  
RECOMMENDED OPERATING  
DISTANCE FROM WALL  
FOR VENTILATION

		17991 ENGLEWOOD DRIVE MIDDLEBURG HEIGHTS, OH 44130 USA PHONE: 1-440-243-1198 FAX: 1-440-243-1334 E-MAIL: MFGHELP@CODONICS.COM			
DESCRIPTION					
<b>LIT, TECH BRIEF, INTEGRATION SPECIFICATIONS, INFINITY C</b>					
DRAWN BY:	DATE:	DRAWING NUMBER		REV	
ALD	03/19/09	<b>901-212-001</b>		<b>01</b>	
CHECKED BY:	DATE:	FORMAT	D	SCALE:	NTS SHEET 2 OF 2

8 | 7 | 6 | 5 | 4 | 3 | 2 | 1