

DRAWING NUMBER  
901-377-001.01

8

7

6

5

↓

4

3

2

1

CONFIDENTIAL NOTICE

THIS DOCUMENT, THE DESIGNS, SPECIFICATIONS, AND ENGINEERING DATA CONTAINED HEREIN, AND ANY ASSOCIATED ELECTRONIC DATA ARE THE PROPERTY OF CODONICS, INC., AND ARE LOANED IN CONFIDENCE. IN CONSIDERATION FOR THE LOAN OF THIS INFORMATION AND THE OPPORTUNITY TO REVIEW ITS CONTENTS, THE RECIPIENT AGREES TO KEEP IT IN CONFIDENCE AND NOT TO USE NOR PERMIT ITS USE IN ANY WAY DETRIMENTAL TO CODONICS, INC. ANY USE, DISCLOSURE, OR REPRODUCTION, IN WHOLE, OR IN PART, IS HEREBY PROHIBITED WITHOUT THE EXPRESS WRITTEN CONSENT OF CODONICS, INC.

REVISIONS

ECR# OR DATE	REV	SHEET	ZONE	DESCRIPTION	DWN BY	CHKD BY
09/29/08	01			CREATED DRAWING	ALD	

# INDICATES SPECIFIC NOTE    ⊕ INDICATES ITEM NUMBER

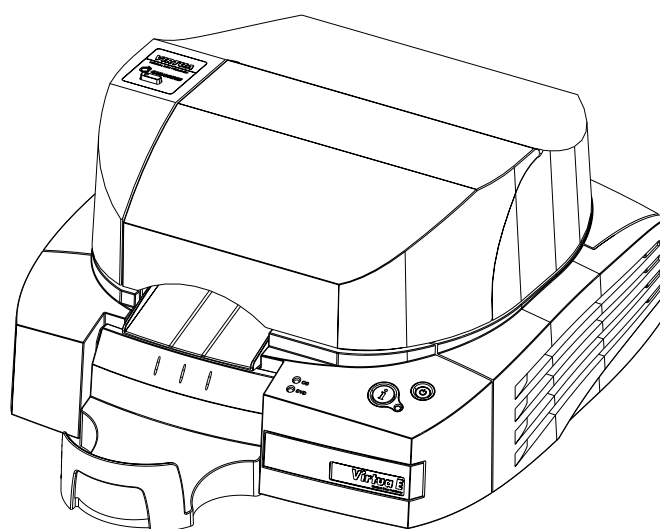
NOTES; UNLESS OTHERWISE SPECIFIED:

THE VIRTUA ECO INTEGRATION DRAWING CAN BE USED WHEN INTEGRATING THE CODONICS VIRTUA ECO SERIES MEDICAL DISC PUBLISHER INTO AN ENVIRONMENT. THIS DOCUMENT CONTAINS THE INFORMATION FOR GEOMETRY BASED MECHANICAL INTERFACES. ALL OTHER INTERFACES, ELECTRICAL, SOFTWARE, THERMAL, AND VIBRATION MUST BE CONSIDERED PRIOR TO INTEGRATION OF THE DISC PUBLISHER INTO ANY ENVIRONMENT. THIS DOCUMENT IS TO BE USED IN CONJUNCTION WITH 900-411-001 AND 901-379-001. PRIOR TO INSTALLATION, CONTACT CODONICS FOR ANY ADDITIONAL INTERFACES WHICH MAY NOT BE COVERED IN THESE DOCUMENTS.

FOR EASE OF MOUNTING AND TO PROVIDE PROPER SPACING OF THE CODONICS VIRTUA DISC PUBLISHER FROM BAFFLES AND WALLS, USE THE 500-631-002 VIRTUA ECO DOCKING TRAY AS A MOUNTING TEMPLATE AS SPECIFIED IN 901-378-001.

DIMENSIONS ARE NOMINAL UNLESS OTHERWISE SPECIFIED.  
DIMENSIONS IN BRACKETS ARE MM.

NOTES FORMAT REVISION DATE 4/1/04



		17991 ENGLEWOOD DRIVE MIDDLEBURG HEIGHTS, OH 44130 USA PHONE: 1-440-243-1198 FAX: 1-440-243-1334 E-MAIL: MFGHELP@CODONICS.COM	
<b>DESCRIPTION</b> <b>LIT, TECH BRIEF, CODONICS VIRTUA ECO INTEGRATION SPECIFICATIONS</b>			
DRAWN BY:	DATE:	DRAWING NUMBER	REV
ALD	09/29/08	901-377-001	01
CHECKED BY:	DATE:	FORMAT SIZE	SHEET   OF 4
		D	1   OF 4

8

7

6

5

↑

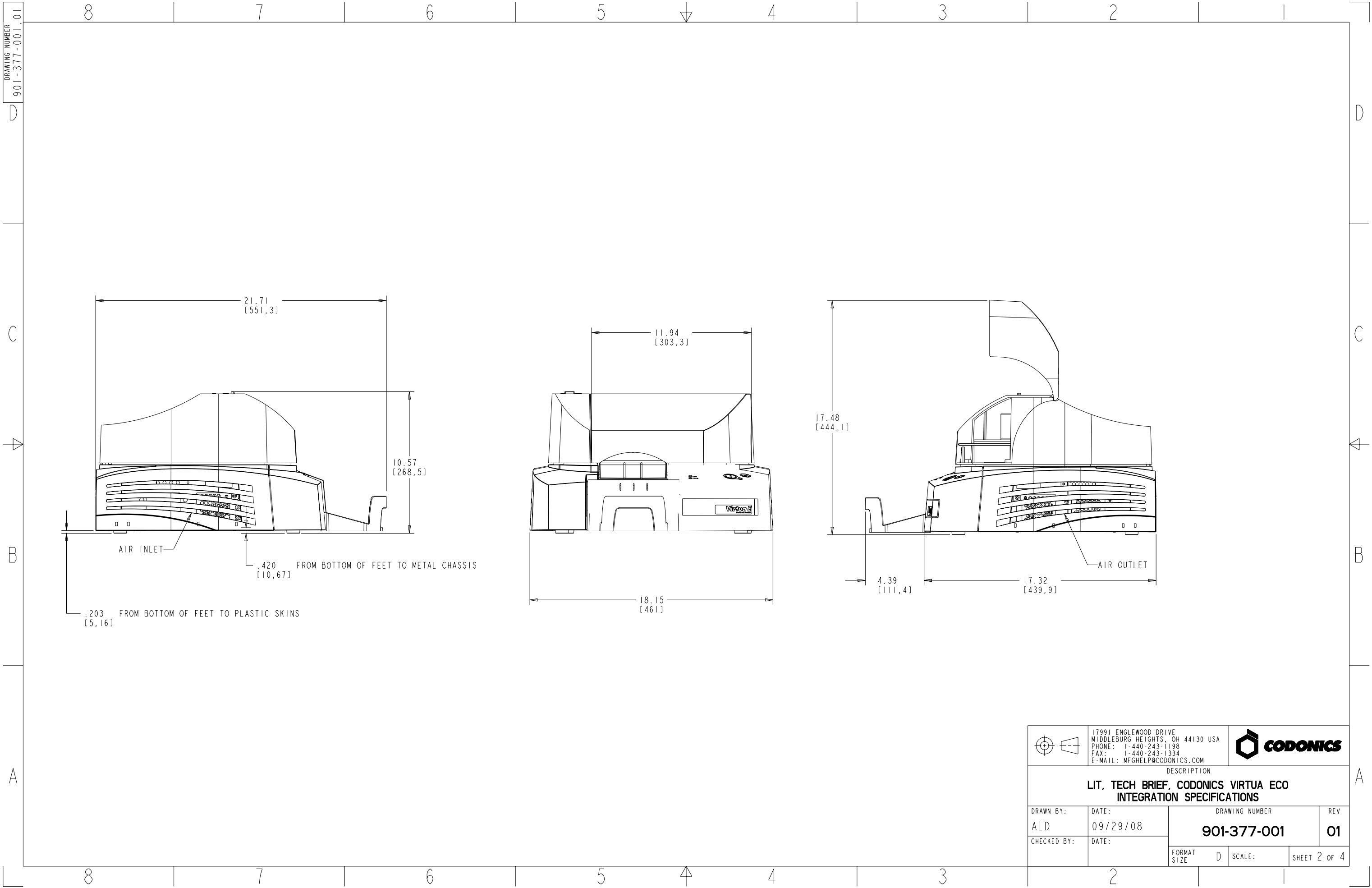
4

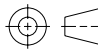

3

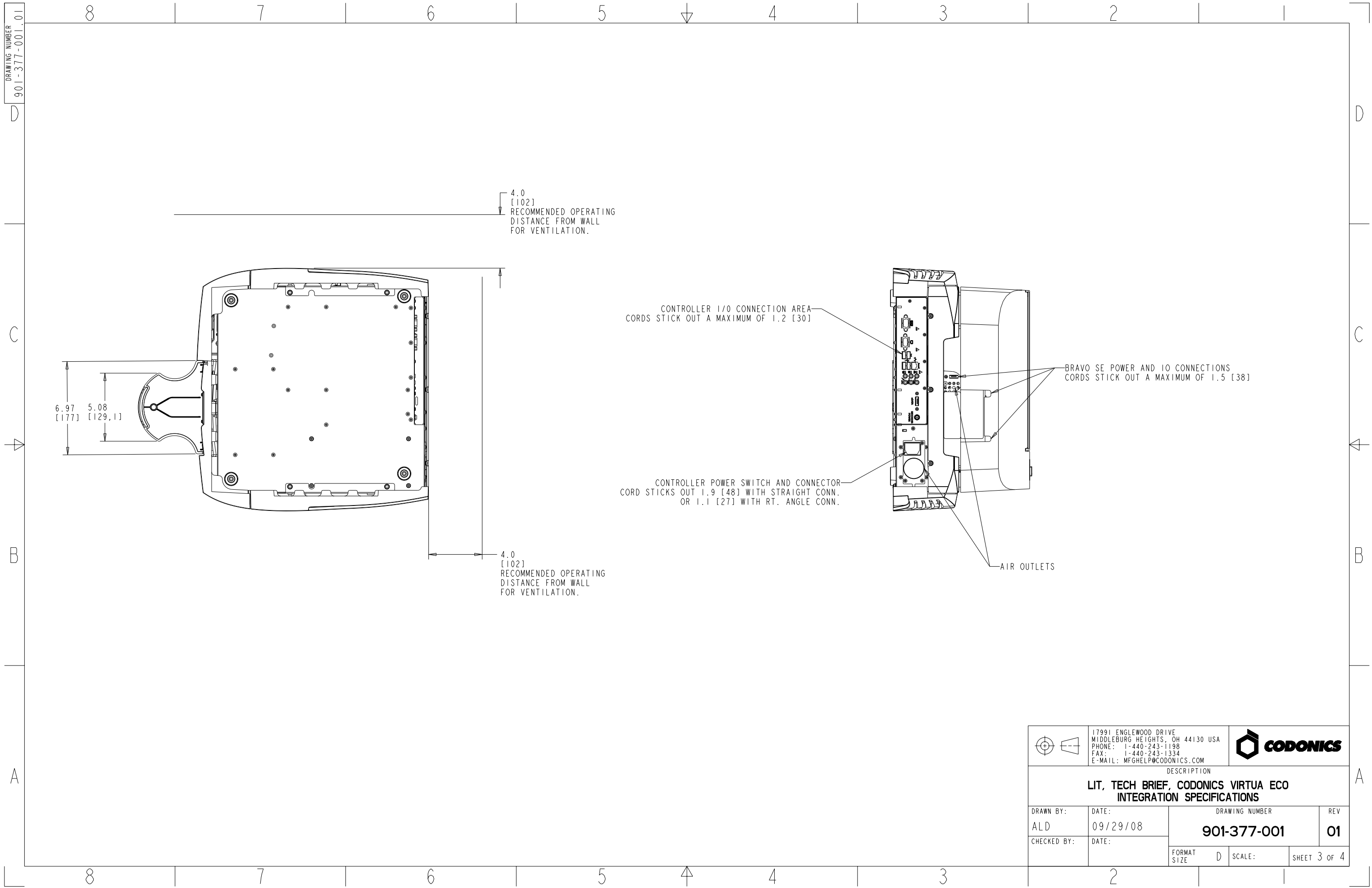
2

1

DRAWING NUMBER  
901-377-001.01



		17991 ENGLEWOOD DRIVE MIDDLEBURG HEIGHTS, OH 44130 USA PHONE: 1-440-243-1198 FAX: 1-440-243-1334 E-MAIL: MFGHELP@CODONICS.COM			
DESCRIPTION <b>LIT, TECH BRIEF, CODONICS VIRTUA ECO          INTEGRATION SPECIFICATIONS</b>					
DRAWN BY:	DATE:	DRAWING NUMBER		REV	
ALD	09/29/08	901-377-001		01	
CHECKED BY:	DATE:	FORMAT SIZE	SCALE:	SHEET 2 OF 4	
		D			



4.0  
[102]  
RECOMMENDED OPERATING  
DISTANCE FROM WALL  
FOR VENTILATION.

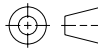

CONTROLLER I/O CONNECTION AREA  
CORDS STICK OUT A MAXIMUM OF 1.2 [30]

BRAVO SE POWER AND I/O CONNECTIONS  
CORDS STICK OUT A MAXIMUM OF 1.5 [38]

CONTROLLER POWER SWITCH AND CONNECTOR  
CORD STICKS OUT 1.9 [48] WITH STRAIGHT CONN.  
OR 1.1 [27] WITH RT. ANGLE CONN.

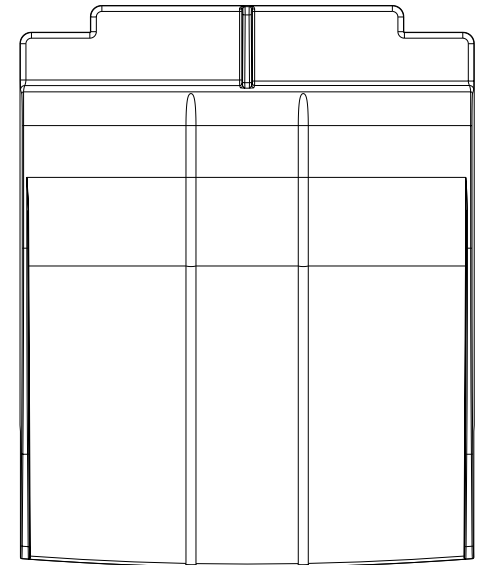
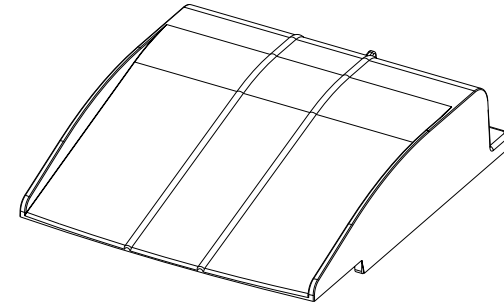
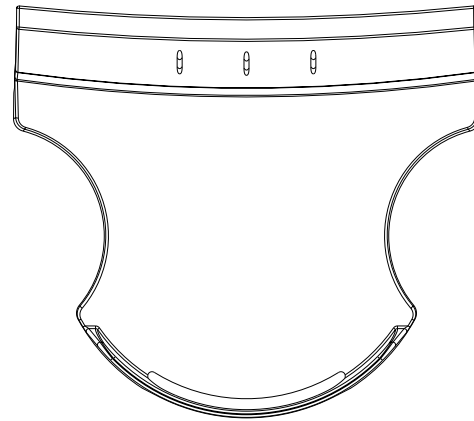
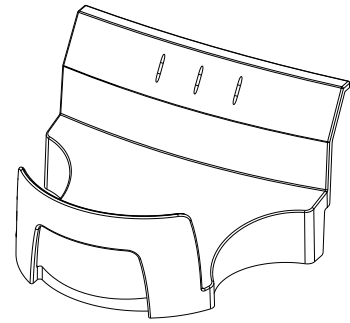
AIR OUTLETS

4.0  
[102]  
RECOMMENDED OPERATING  
DISTANCE FROM WALL  
FOR VENTILATION.

		17991 ENGLEWOOD DRIVE MIDDLEBURG HEIGHTS, OH 44130 USA PHONE: 1-440-243-1198 FAX: 1-440-243-1334 E-MAIL: MFGHELP@CODONICS.COM			
DESCRIPTION <b>LIT, TECH BRIEF, CODONICS VIRTUA ECO                  INTEGRATION SPECIFICATIONS</b>					
DRAWN BY: ALD	DATE: 09/29/08	DRAWING NUMBER <b>901-377-001</b>		REV <b>01</b>	
CHECKED BY:	DATE:	FORMAT SIZE D	SCALE:	SHEET 3 OF 4	

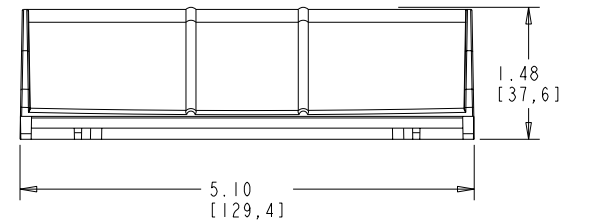
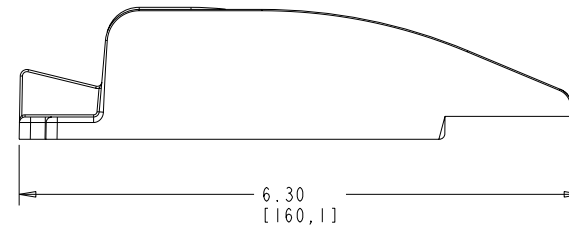
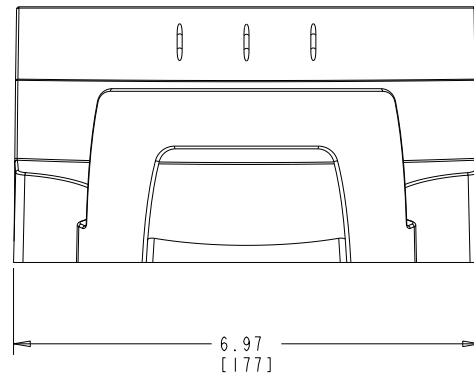
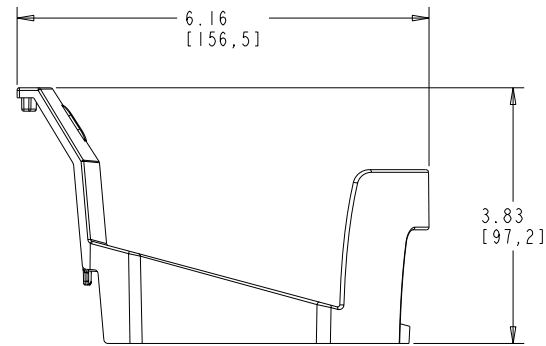
DRAWING NUMBER  
901-377-001.01

8 | 7 | 6 | 5 | 4 | 3 | 2 | 1



C

C



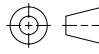

B

B

A

A

8 | 7 | 6 | 5 | 4 | 3 | 2 | 1

		17991 ENGLEWOOD DRIVE MIDDLEBURG HEIGHTS, OH 44130 USA PHONE: 1-440-243-1198 FAX: 1-440-243-1334 E-MAIL: MFGHELP@CODONICS.COM			
DESCRIPTION <b>LIT, TECH BRIEF, CODONICS VIRTUA ECO          INTEGRATION SPECIFICATIONS</b>					
DRAWN BY:		DATE:		DRAWING NUMBER	
ALD		09/29/08		901-377-001	
CHECKED BY:		DATE:		REV	
				01	
FORMAT SIZE		D		SCALE:	
				SHEET 4 OF 4	